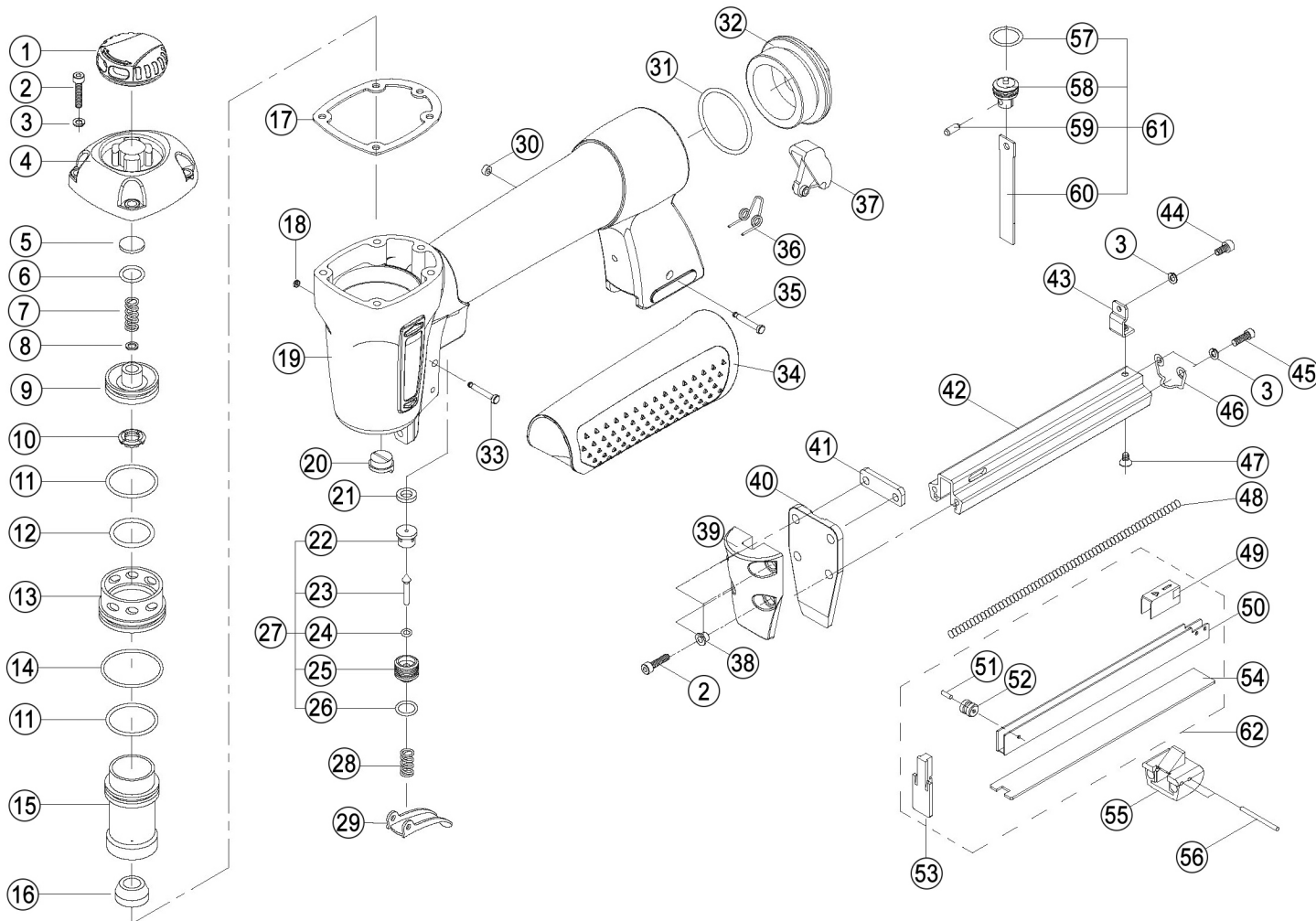


Air Locker

Model # U630A



NO.	DESCRIPTION	QTY.	NO.	DESCRIPTION	QTY.	NO.	DESCRIPTION	QTY.
1	Exhaust Deflector	1	23	Remote Core	1	45	Screw	2
2	Screw	8	24	O-Ring	1	46	Spring	1
3	Washer	11	25	Remote Housing	1	47	Screw	1
4	Exhaust Cover	1	26	O-Ring	1	48	Feeder Spring	1
5	Seal, Air	1	27	Trigger Valve Assembly	1	49	Pusher	1
6	O-Ring	1	28	Spring	1	50	Nail Magazine	1
7	Compression Spring	1	29	Trigger	1		Base Plate	
8	Washer	1	30	Ring	1	51	Spring Pin	1
9	Head Valve Piston	1	31	O-Ring	1	52	Roller	1
10	Piston Stopper	1	32	Tail Cover	1	53	Front Part	1
11	O-Ring	2	33	Step Pin	1	54	Nail Tank	1
12	O-Ring	1	34	Handle Grip	1	55	Tail Cover	1
13	Collar	1	35	Step Pin	1	56	Spring Pin	2
14	O-Ring	1	36	Torsion Spring	1	57	O-Ring	1
15	Cylinder	1	37	Click Lever	1	58	Piston Head	1
16	Bumper	1	38	Sleeve	1	59	Outer Spring Pin	1
17	Gasket	1	39	Driver Guide Cover	1	60	Driver Blade	1
18	Ring	1	40	Driver Guide	1	61	Driver Assembly	1
19	Body	1	41	Spacer	1	62	Magazine Assembly	1
20	Nozzle	1	42	Upper Magazine	1			
21	Seal, Air	1	43	Magazine Support	1			
22	Upper Remote Housing	1	44	Screw	1			