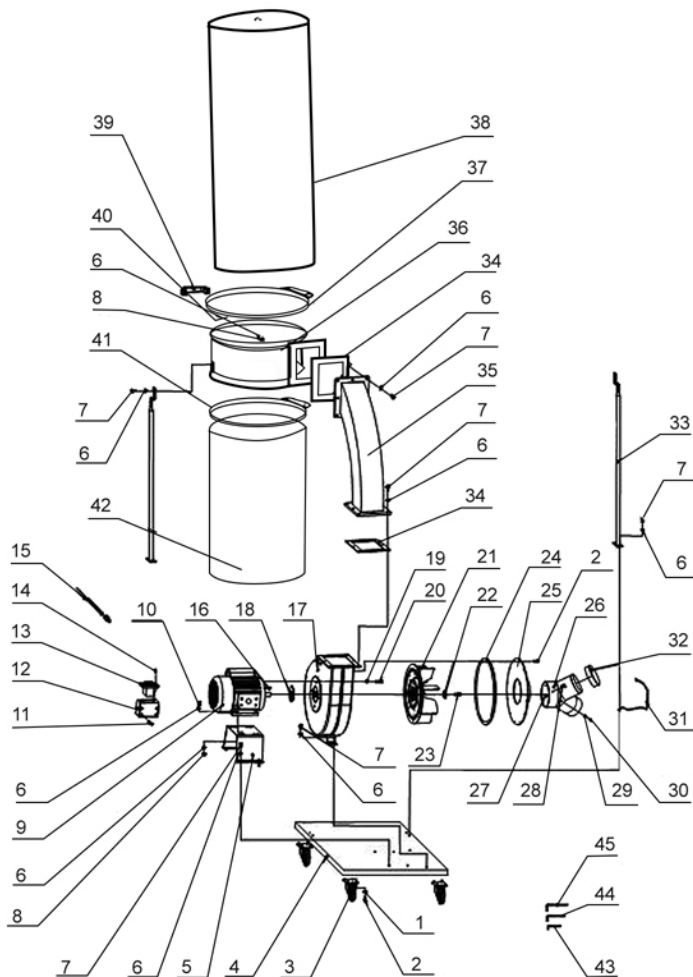


## PARTS DIAGRAM



**PARTS LIST**

S.No.	Description	Qty.	S.No.	Description	Qty.
1	Washer 6	16	24	Seal Pad (turbo fan)	1
2	Screw M6x10	28	25	Outlet	1
3	Caster 3"	4	26	Inlet	1
4	Base Plate	1	27	Nut M2.5	1
5	Motor Base	1	28	Screw M5 x 10	1
6	Washer 8	38	29	Washer 2.5	1
7	Hex-cap bolt M8x16	30	30	Screw M2.5 x 8	1
8	Nut M8	6	31	Chain	1
9	Motor	1	32	Inlet Cover	1
10	Bolt M8 x 25	4	33	Collector Bag Support	2
11	Screw M4x60	4	34	Packing	2
12	Switch Box	1	35	Steel Tube	1
13	Switch	1	36	Collector	1
14	Screw	2	37	Steel Filter Clamp	1
15	Power Cord	1	38	Filtration Bag	1
16	Key	1	39	Handle	1
17	Fan Housing	1	40	Bolt M8 x 20	2
18	Seal Pad (motor)	1	41	Collector Bag Clamp	1
19	Spring Washer 10	4	42	Collector Bag	1
20	Bolt M10 x 16	4	43	Wrench 4	1
21	Turbo Fan	1	44	Wrench 5	1
22	O-Ring	1	45	Wrench 6	1
23	Bolt M6 x 20 (Left thread)	1			